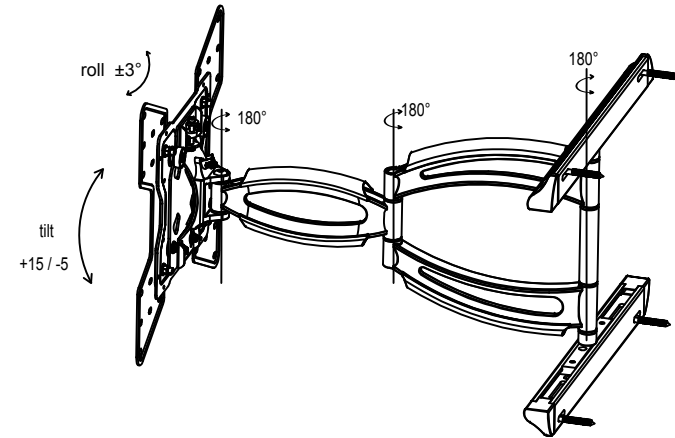
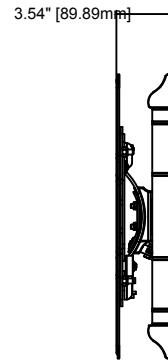
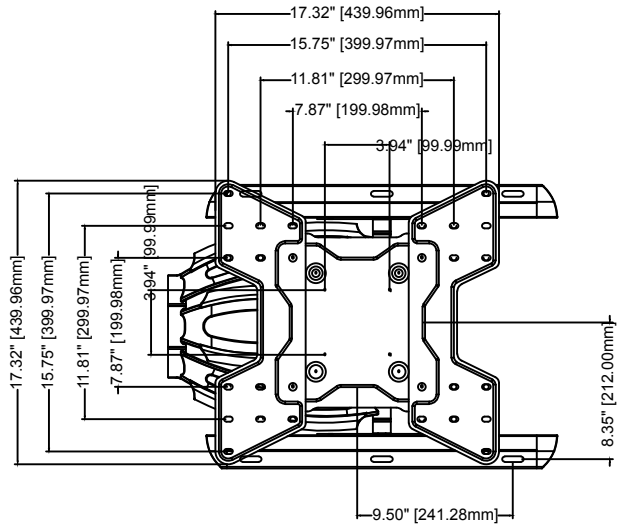
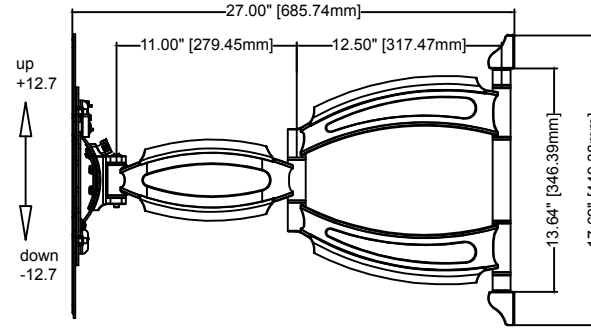
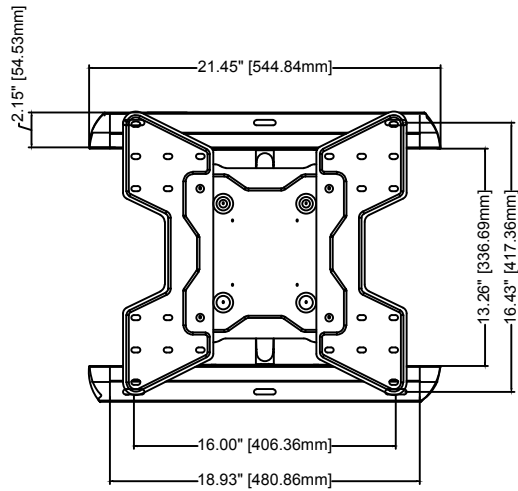


Maximum load rating: 150 lbs



THE INFORMATION CONTAINED IN THIS DRAWING IS THE SOLE PROPERTY OF MUSTANG AV. ANY REPRODUCTION IN PART OR AS A WHOLE WITHOUT THE WRITTEN PERMISSION OF MUSTANG AV IS PROHIBITED



MUSTANG AV

PRODUCT ORDER NUMBER: **MPA-L44V**

PHONE: **1-866-395-0370**

Scale=1:1

MUSTANG AV www.mustangav.com	
TITLE:	MPA-L44V
DWG. No.	MPA-L44V